

Detectors

Geopal Detectors Pipe and duct mounting

Geopal offer a range of detectors designed for installation on ducts and ventilation pipes, ensuring they meet high safety standards with flexible mounting options to suit various needs.

GJ-EX-V

The GJ-EX-V gas detector is an explosionproof detector intended for use in Zone 1. Gas detector type GJ-EX-V can be equipped with different sensors depending on the gases/vapors to be detected. Optionally, it can be supplied with a mounting plate, complete with gaskets and screws.

GP-NOVA-V

The GP-NOVA-V gas detector is an explosionproof stand-alone detector for use in Zone 1. Gas detector type GP-NOVA-V can be equipped with different sensors depending on the gases/vapors to be detected. Optionally, it can be supplied with a mounting plate, complete with gaskets and screws.

GJ-C-V, GP-SA-V, GP-ELK-V, etc.

Geopal detectors for pipe and duct installation in unclassified areas are made from robust materials and are equipped with various sensors based on the gases/vapors to be detected.



Detectors that are not stand-alone can be connected to alarm central types GJD-02C, GJD-04C, GJ-03R, GPU-45A, or the amplifier module GP-AMP, with alarm levels adjusted to the specific gas type (see separate data sheets for the respective control panels). These systems allow for continuous measurement of gas concentrations in the range of 0-40,000 ppm or 0-100% LEL.

geopal[®]

Bygmarken 19 • DK-3520 Farum
+45 4567 0600 • info@geopal.dk • www.geopal.dk



PENDING



ITS-123ATEXQ36745

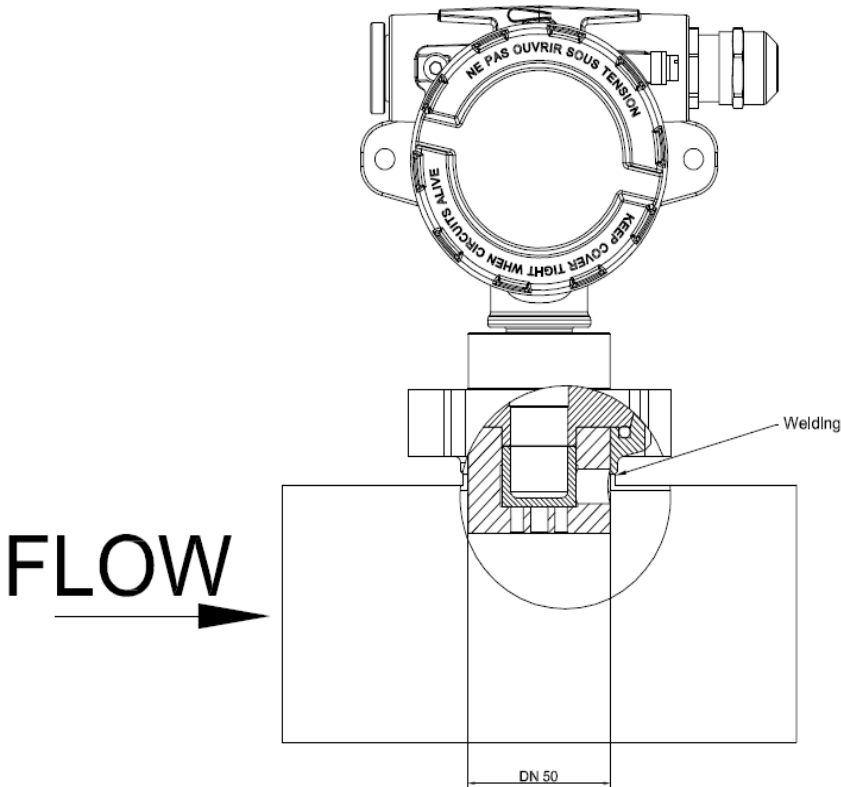


DBI reg. no 233.301



DIC444QMS

Detectors



Designed by JA	Checked by	Drawing No. GJ-EX-V-1	Revision A
geopal SYSTEM A/S® Skelstedevej 10B DK-2950 Vedbæk Phone: +4545670600		Description GJ-EX-V Pipe mounting	Date 29-10-2019 Sheet 1/1



Bygmarken 19 • DK-3520 Farum
 +45 4567 0600 • info@geopal.dk • www.geopal.dk

EA 112080E



PENDING

ITS-123ATEXQ36745

DBI reg. no 233.301

DIC444QMS

Detectors

ITEM NO.	PART NUMBER	DESCRIPTION	QTY.
1	EM-210-F	BOX	1
2	AD06080	Detector tube	1
3	AD06091	Connector	1
4	A139550	Gasket	1
5	A139540	Gasket	1
6	AD06050	Adaptor	1
8	m5w8088	Cable - 5000 mm	1

Product no. DET-1015B

Rev.	Description	Int.	Date	Model/Author	Geopæl	Scale	Sheet
				Cuva	Geopæl Skelbæddet 10 B DK-2950 Vedbæk	EM80700	A
				Cuva		EM80700	
				12-03-2015			
				A3			
				1:2			

ITEM NO.	PART NUMBER	DESCRIPTION	QTY.
1	EM-210-F	BOX	1
2	AD06080	Detector tube	1
3	AD06090	Probe	1
4	A139540	Gasket	2
5	798128_8_16-mattlæssons	Tapping screw stainless steel, A2, ISO 7049 C-H ST4,2x16	4
6	AD06050	Adaptor	1
8	m5w8088	Cable - 5000 mm	1

Product no. DET-1015A

Rev.	Description	Int.	Date	Model/Author	Geopæl	Scale	Sheet
				Cuva	Geopæl Skelbæddet 10 B DK-2950 Vedbæk	EM80701	A
				Cuva		EM80701	
				12-03-2015			
				A3			
				1:5			



Bygmarken 19 • DK-3520 Farum
 +45 4567 0600 • info@geopal.dk • www.geopal.dk

EA 112080E



PENDING ITS-123ATEX036745 DBI reg. no 233.301 DIC444QMS