

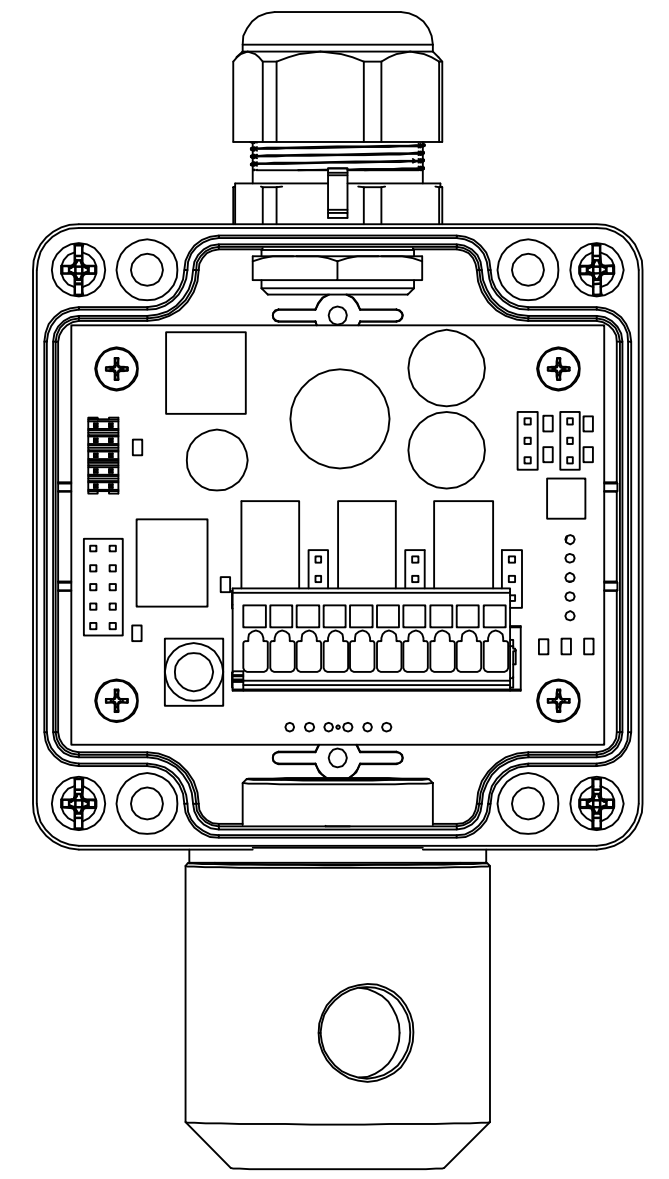
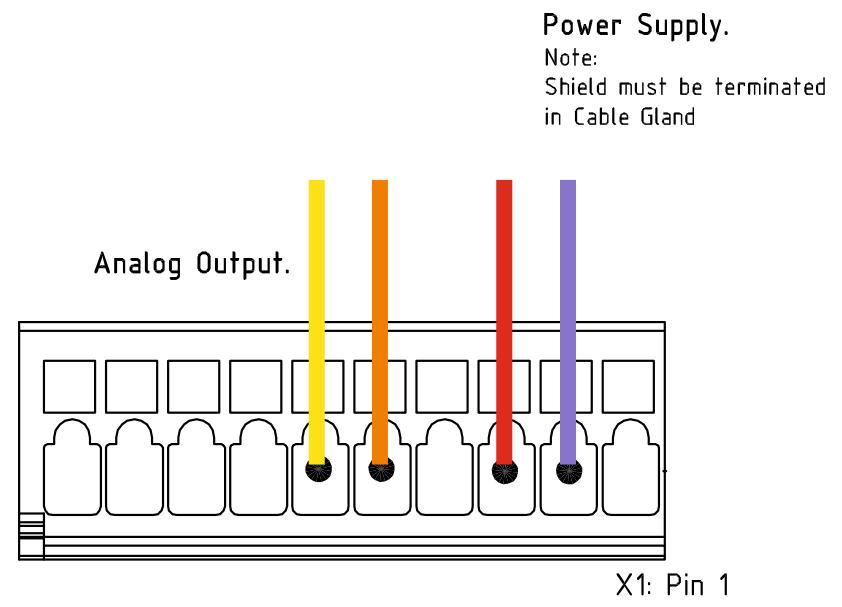
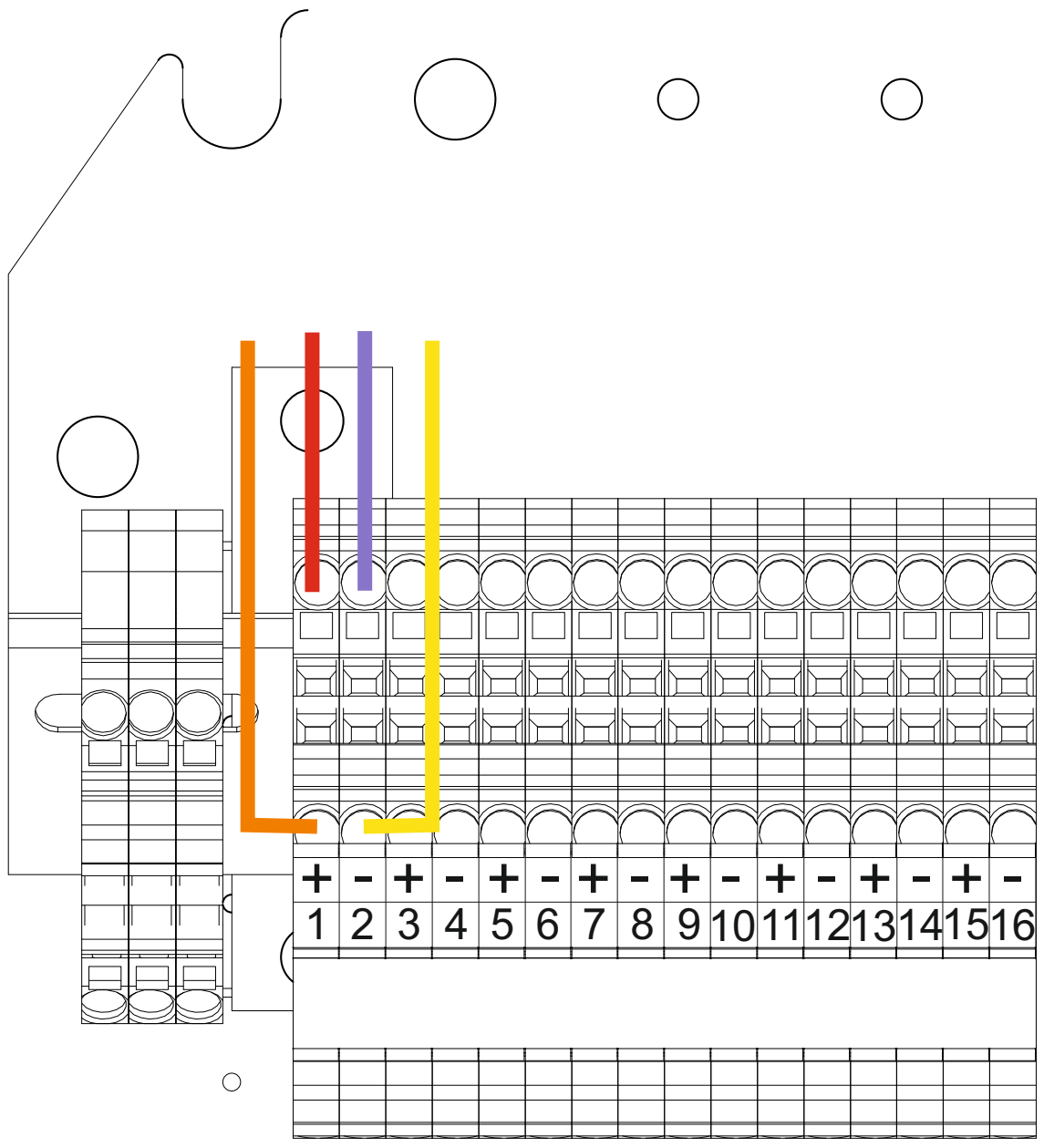
6 5 4 3 2 1

D

C

B

A



Designed by JA	Checked by LH	DWG.No: EG03520AE	Edition: A2
geopal [®] Bygmarken 19 DK-3520 Farum Phone: +4545670600		Title: Connection GPU-45 & GP-SA / -SB / -ELK / -CO2 detector	Scale: NA
			Sheet: 1 of 1
			Format: A3 Date:

6 5 4 3 2 1