

1 2 3 4 5 6

A

B

C

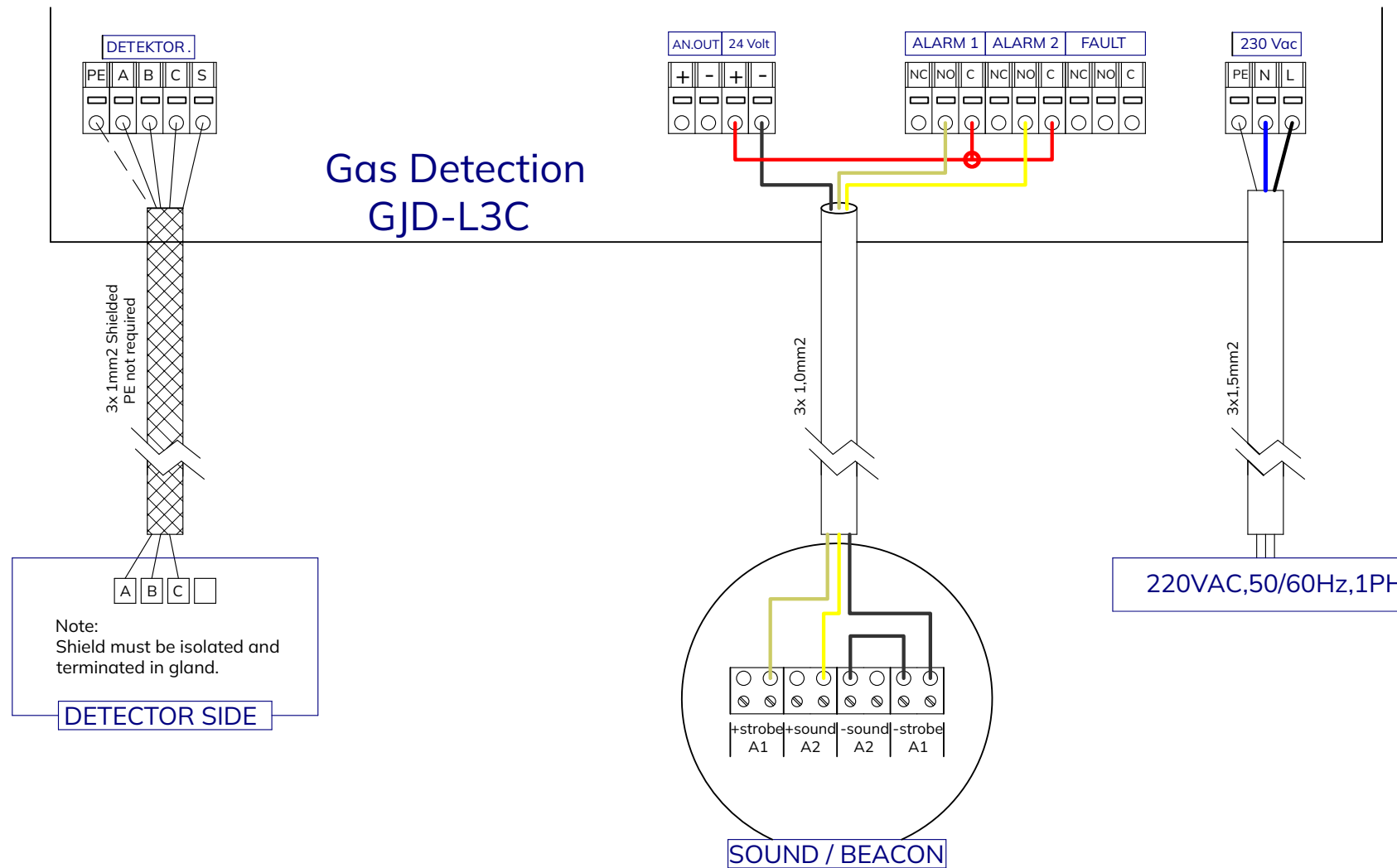
D

A

B

C

D



Designed by JA	Checked by CM	Drawing No. EG00121E	Revision B
geopal [®] Bygmarken 19 DK-3520 Farum Phone: +4545670600		Description GJD-L3C 230Vac Combined Sound/Beacon 24Vdc models	Date 25-11-2025
			Sheet 1/1

1 2 3 4 5 6